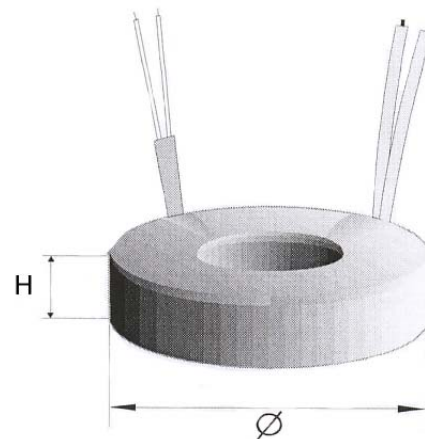


TOROIDAL TRANSFORMERS

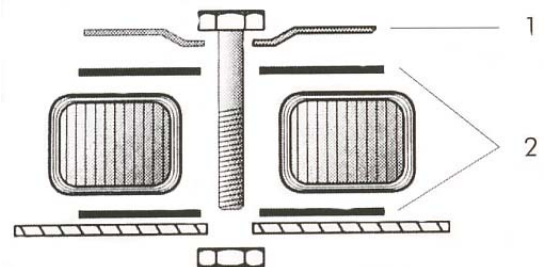
- Toroidal transformers from 10 VA to 1000 VA we produce in standard production, while from 1000 VA to 5000 VA by phase we produce by order.
- Application: halogen lighting, industrial electronic, electronic, elektrotehnic.
- Primary characteristics of toroidal transformers are: very high grade of efficient operation, minimal dimensions, minimal weight in ration of power, minimal dissipation of magnetic current, minimal effect on devices in nearness and minimal leak.
- Set with transformer include accessories for assembly which include two rubber plates (on sketch of mounting 2) and one metal plate (on sketch of mounting 1). In set is not including screw.
- Company Elektrotehnika d.o.o. posses 12 machines for winding toroidal transformers with appreciably number of other accessories for quality production.



Type	Power (VA)	Ø (mm)	H (mm)
TT 10	10	53	28
TT 20	20	62	29
TT 30	30	65	30
TT 50	50	74	32
TT 75	75	89	34
TT 100	100	89	38
TT 120	120	96	43
TT 150	150	98	47
TT 200	200	120	47
TT 250	250	122	48
TT 300	300	114	56
TT 350	350	116	58
TT 400	400	120	59
TT 500	500	120	70
TT 600	600	130	70
TT 700	700	143	70
TT 800	800	158	70
TT 900	900	162	72
TT 1000	1000	165	72



Sketch of transformer



Sketch of mounting